

Installation Manual

Impaq S / Impaq SC

INS877-1

Content

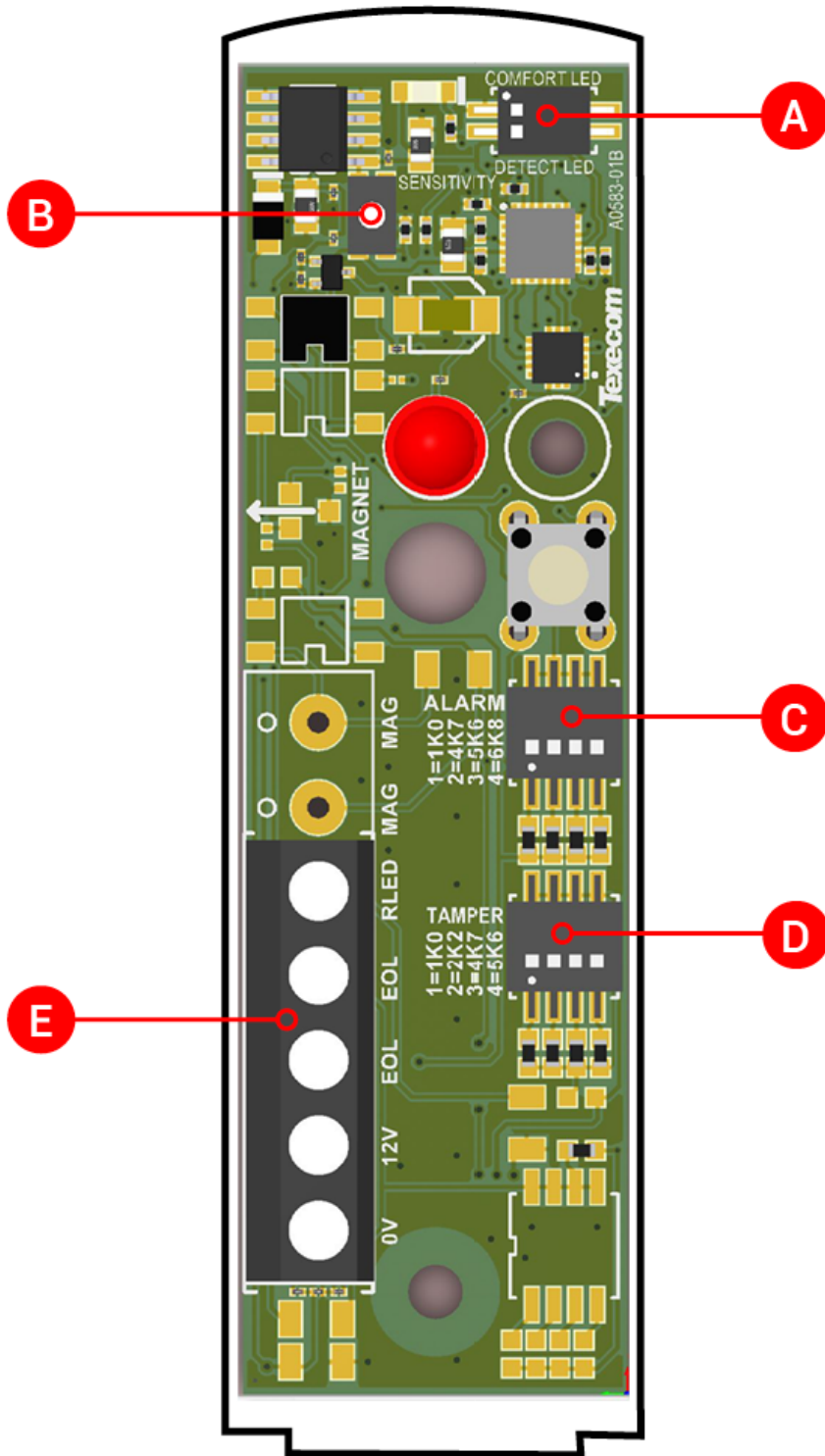
- 1.0 Introduction** 3
 - 1.1 Impaq S 3
 - 1.2 Impaq SC 5
- 2.0 Mounting** 7
 - 2.1 Device mounting 7
 - 2.2 Magnet mounting (type SC only) 10
- 3.0 Wiring configuration** 13
 - 3.1 End of Line (EOL) configuration 14
 - 3.2 Connections 16
 - 3.3 Connections - Impaq SC only 16
 - 3.4 Optional wiring 16
- 4.0 LED functionality** 16
- 5.0 Setting the shock sensitivity** 17
- 6.0 Specifications** 18
- 7.0 Legal Information** 19

1.0 Introduction

The Impaq S is a wired shock sensor and the Impaq SC is a wired shock sensor with the option for a magnetic contact.

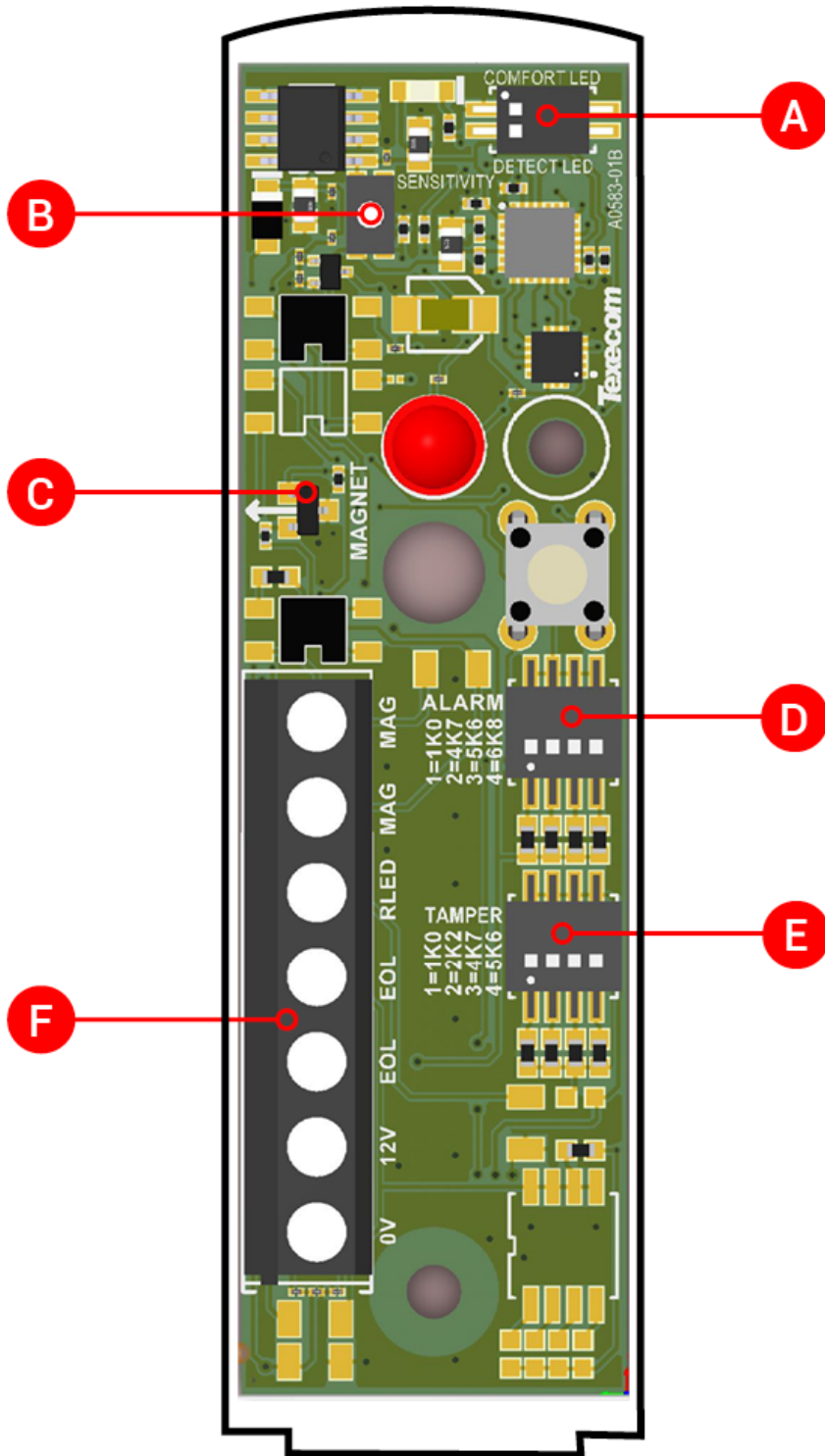
Sections 1.1 and 1.2 show the key parts of the devices.

1.1 Impaq S



Icon	Item
A	LED function select DIP switch
B	Sensitivity selection button
C	Alarm resistance value selection DIP switch
D	Tamper resistance value selection DIP switch
E	Input terminal block

1.2 Impaq SC



Icon	Item
A	LED function select DIP switch
B	Sensitivity selection button
C	Magnet sensor
D	Alarm resistance value selection DIP switch
E	Tamper resistance value selection DIP switch
F	Input terminal block

2.0 Mounting

2.1 Device mounting

- Select the intended mounting position. The device can be installed in any mounting orientation.
- Open the device cover and remove the PCB using a screwdriver (see figure 1)
- Remove the cable knockouts (see figure 2)
- **To ensure product compliance with EN50131**, fix the base onto the mounting surface (see figure 3) using the following screw type:
 - Head Type: Counter Sunk flat head
 - Head Diameter: 5.3-6.8mm
 - Screw Diameter 2.9-3.2mm
 - Screw length: 15.8-24.5mm

NOTE 1: If the product is mounted on concrete suitable wall plugs should be used.

NOTE 2: If installing the Impaq SC the same screw types should be used to mount the magnet.

Figure 1

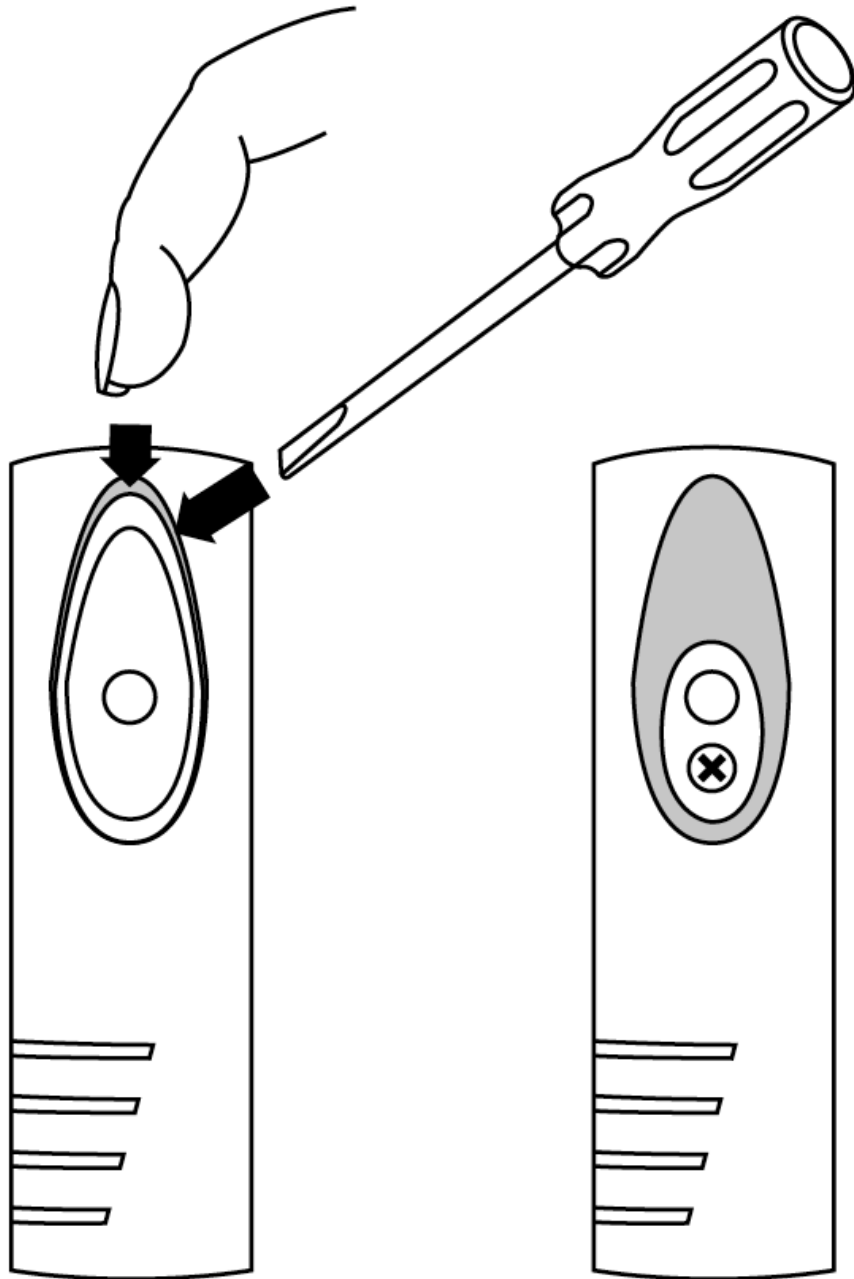


Figure 2

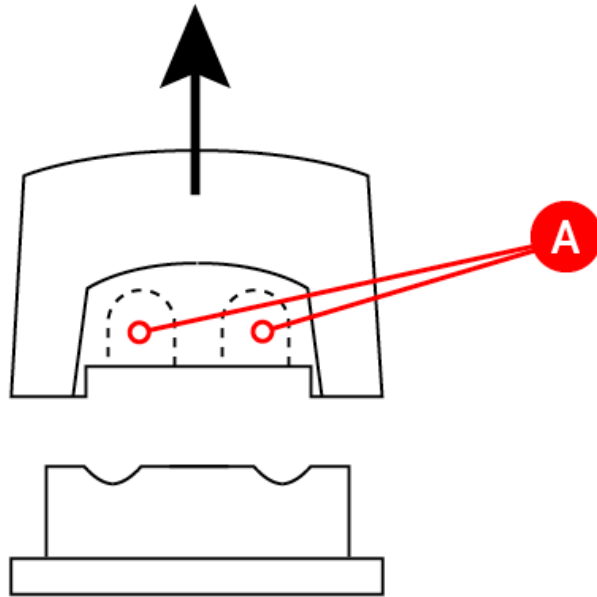
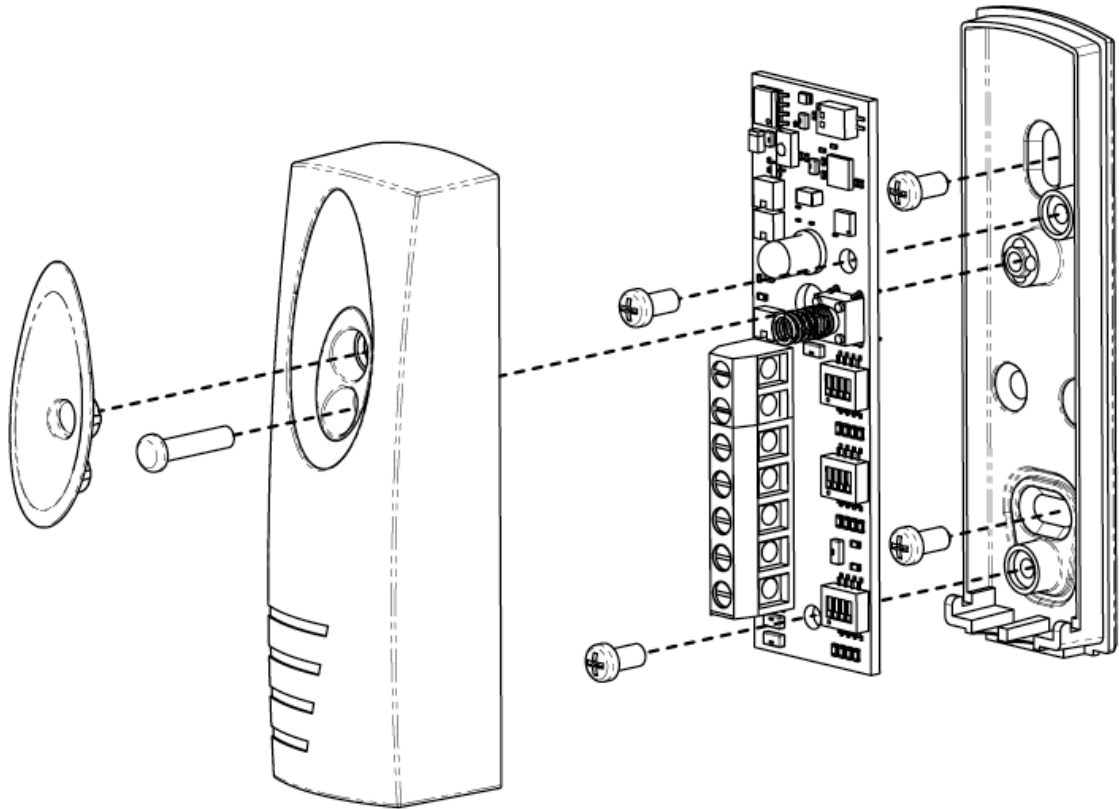


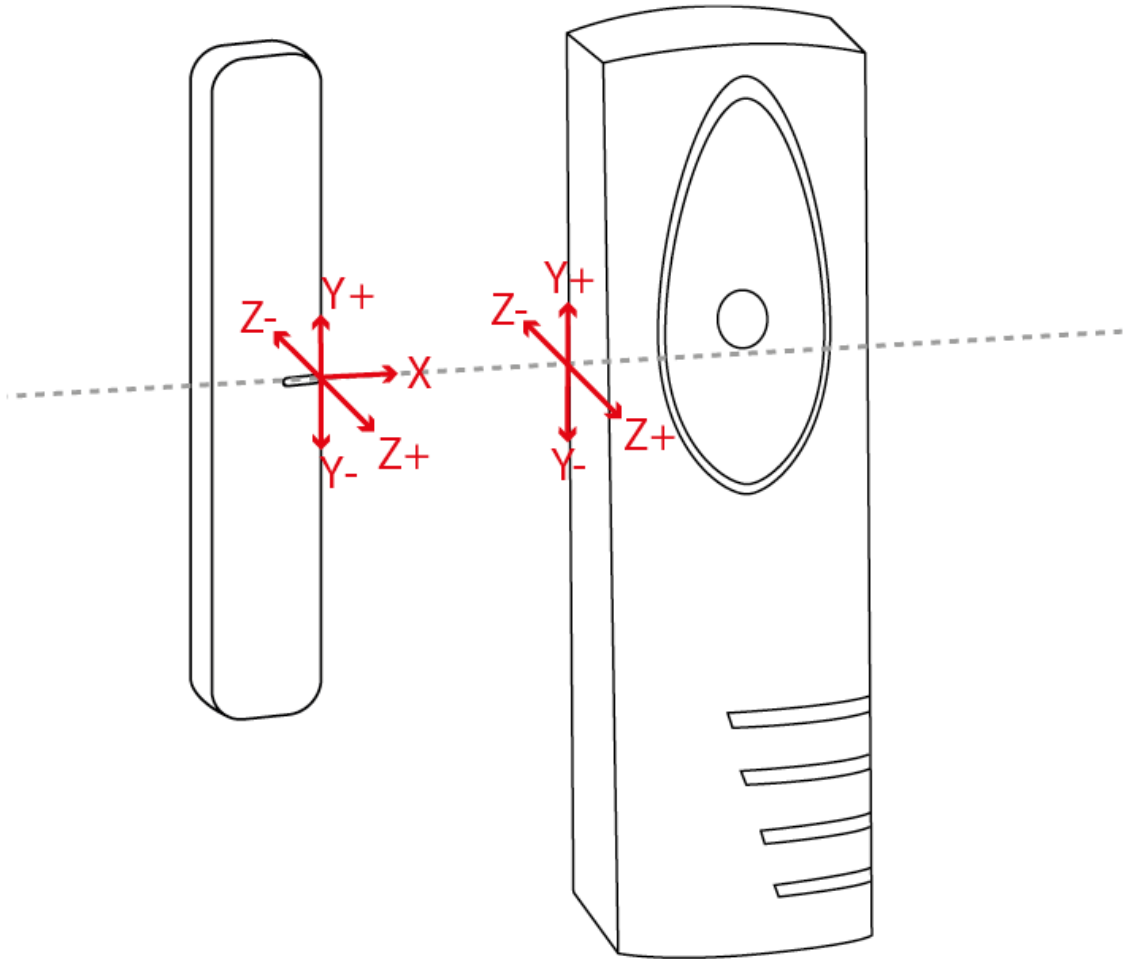
Figure 3



2.2 Magnet mounting (type SC only)

- Once the device has been mounted, position the magnet so the notch is aligned with the arrow marker on the PCB.
- The magnet can be installed on either side of the device. Greater sensitivity is achieved by positioning the magnet so the notch is aligned with the arrow (see figure 4 for magnet distances).

Figure 4



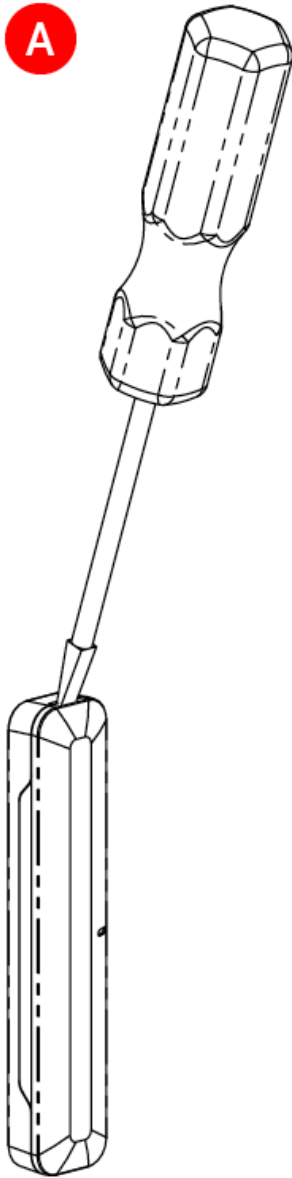
	Axis	Approach Min (mm)	Removal Max (mm)
Right	X	20	27
	Y+	6	7
	Y-	4	6
	Z+	42	49
	Z-	35	42

Left	X	35	42
	Y+	5	7
	Y-	5	6
	Z+	43	46
	Z-	35	40

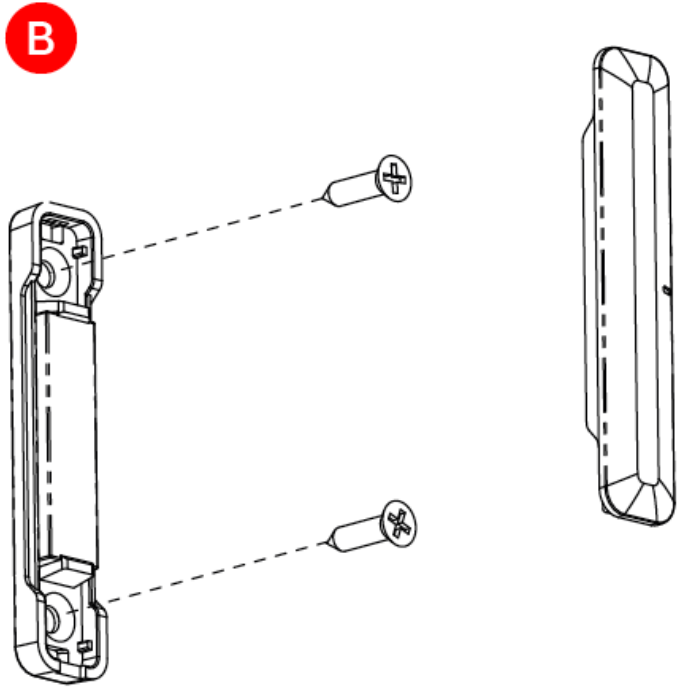
Once the correct position has been located fix the magnet in place (see figure 5).

Figure 5

A



B



3.0 Wiring configuration

3.1 End of Line (EOL) configuration

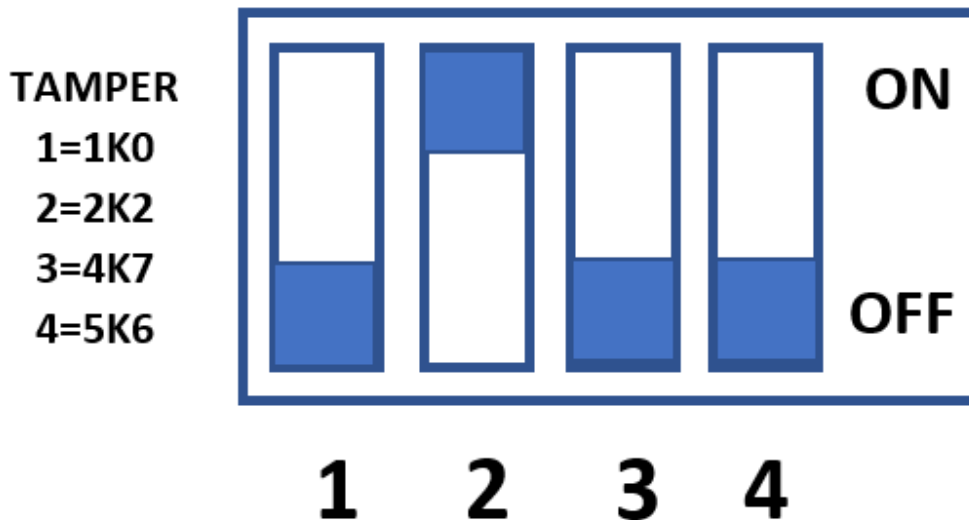
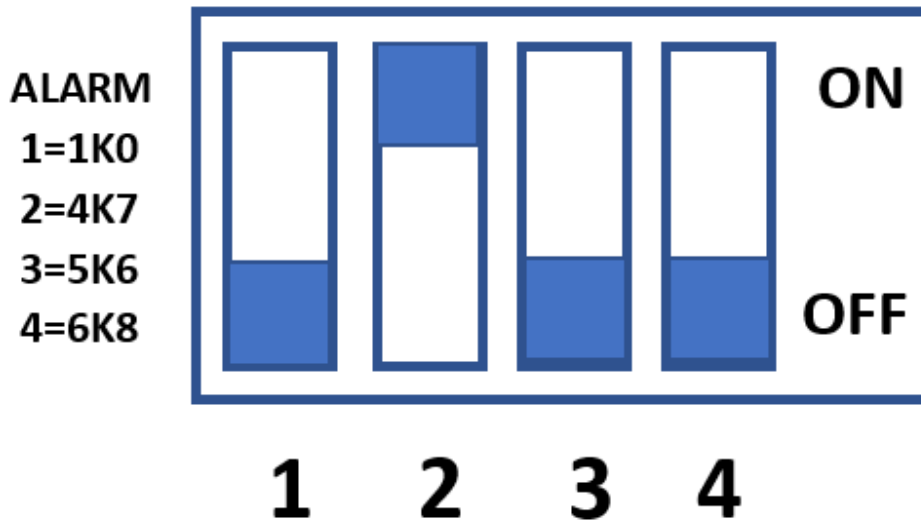
For use as a shock sensor the device is only compatible with EOL panels that support the resistor values specified in the table below.

If installing the Impaq SC, the magnetic contact operates on a normally closed circuit.

This table is for the shock sensor only

Panel Support	Texecom	Cooper Menvier	Honeywell	DSC
Alarm EOL	4k7	4k7	1k	5k6
Tamper EOL	2k2	2k2	1k	5k6

Select the correct resistance value for Tamper and Alarm by moving the DIP switch to the ON position (Texecom values shown in example below).



NOTE: The product will only function if both DIP switches have a single switch set to the ON position. If no switches or multiple switches are moved the product will not function as expected.

3.2 Connections

- Connect two wires into the 0V and 12V terminals to supply power to the device from an EN50131 compliant power supply unit.
- Connect two wires into the terminals marked EOL for the Alarm and Tamper signals. These wires should be terminated into a zone on the intruder panel.

3.3 Connections - Impaq SC only

- Connect two cores into the terminals marked MAG for the alarm signals from the magnetic contact.
- The shock and contact functions must be wired as two separate zones in the panel.

3.4 Optional wiring

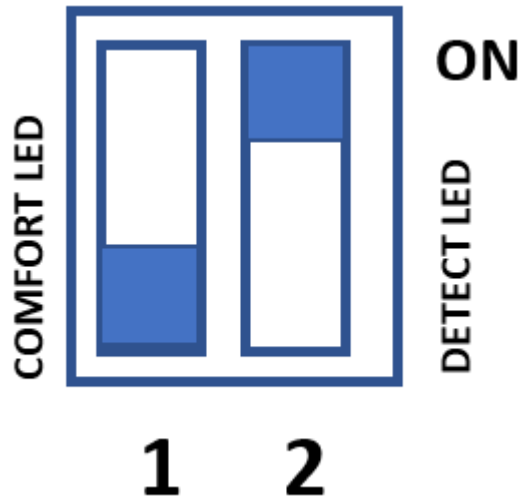
There is a facility to remotely enable the walk test LED from the panel. To use this connect a wire from the RLED terminal to an output of the panel.

NOTE: This overrides the LED DIP Switch settings.

4.0 LED functionality

LED	Colour Indication	How to Select
Comfort	Green every 6 seconds	Move switch 1 to the ON position
Detection	Red every time a detection occurs	Move switch 2 to the ON position

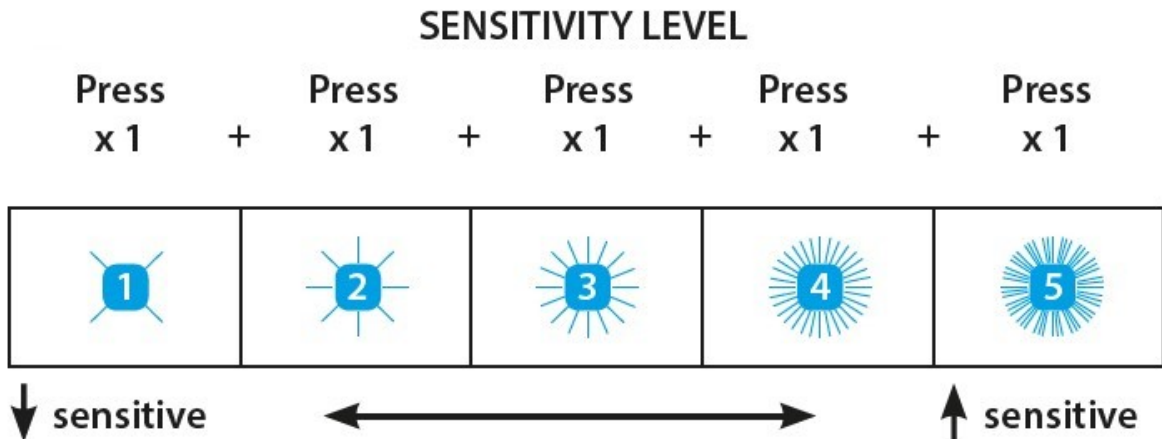
Example selection shown here:



NOTE: Any selections made on the comfort and detection LED switches will be overridden when the RLED function is utilised.

5.0 Setting the shock sensitivity

- After powering up the device single press the sensitivity button and the LED will flash blue defaulting to sensitivity setting 2. There are 5 sensitivity settings from 1 to 5 with 1 being the least sensitive (slowest flash rate) and 5 the most sensitive. Each press of the button will change the sensitivity indicated by the flash rate of the blue LED, cycling from slow to fast and finally back to slow after 5 presses.



Recommended Sensitivity Setting*	Material	Radius
1	Wood	1m
2	Framed Glass Window	1m
5	Concrete	0.5m

- Before testing the device, press and hold the button (3 secs) to set the desired sensitivity setting.
- The LED will turn green for confirmation at which point the device is ready for impact testing.
- On impact test, if the LED turns red, the selected sensitivity setting is appropriate for the installation.
- If the LED turns orange the selected sensitivity setting is too high for the installation.
- If the LED turns green the selected sensitivity setting is too low for the installation.
- Select the next sensitivity level and repeat the test. Continue until a level is selected whereby the device LED turns red on impact.

***Based on the testing requirements of EN50131-2-8 : 2016**

6.0 Specifications

Specifications	
Alarm System	EN50131-2-8:2017, EN50131-2-6:2008 (Impaq SC only) EN50131-1:2006+A2:2017, PD6662:2017, Grade 2 Class II
Operating Voltage	9-16V DC
Maximum Current	15.4mA
Quiescent Current	12.8mA
Relative Humidity	0 - 95% non-condensing

Specifications	
Operating Temperature	-10°C to 55°C
Weight	80g
Dimensions	86mm x 25mm x 21mm (magnet 57mm x 11.5mm)

7.0 Legal Information

Supplier: Texecom Ltd, Haslingden, Lancashire, BB4 4PW, UK.

Made in England

WEEE Directive: 2012/19/EU (WEEE Directive): Products marked with this symbol cannot be disposed of as unsorted municipal waste in the European Union. To recycle, return this product to your local supplier upon the purchase of equivalent new equipment, or dispose of it at designated collection points. For more information see: www.recyclethis.info.

Maintenance: Test yearly by the installer.

Warranty: 2 year replacement warranty.

As the Impaq S/SC is not a complete alarm system, but only a part thereof, Texecom cannot accept responsibility or liability for any damages whatsoever based on a claim that the Impaq S/SC failed to function correctly. Due to our policy of continuous improvement Texecom reserves the right to change specification without prior notice.

Domestic Use: If this product is installed within reach of children the screw cover should not be fitted as this could cause a choking hazard.

Hereby, Texecom declares that the equipment type : AEJA0000 (Impaq S), AEKA000 and (Impaq SC), is in compliance with the Electro-magnetic Compatibility (EMC) Directive 2014/30/EU.

The full EU declaration of conformity is available here: [Impaq S](#), [Impaq SC](#).

Certified by Telefication B.V.

